

Project

Item Number

Quantity

SBDR15

Bun Divider/Rounder

Univex Corporation

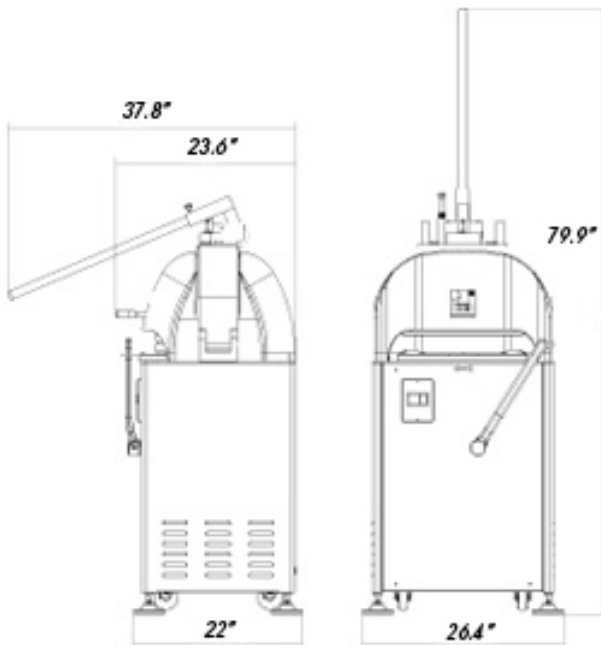


Semi-Automatic Bun Divider/Rounder

□ SBDR15(3.5oz to 9.1oz)

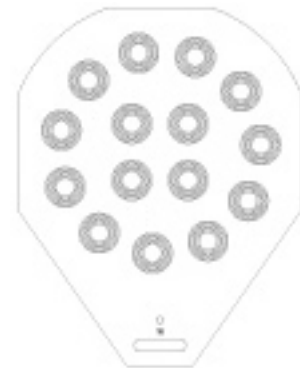
Features:

- Divides and rounds dough balls
- Produces 15 equal weight and shaped pieces at once in under 7 seconds
- Can produce 1800 pieces an hour
- Industrial Strength Machine
- Simple to use leveling feet
- Simple controls: dual start buttons for safety.
- Multiple languages
- Programable control board



Standard Accessories:

- three clear 15 division trays



Warranty:

- 1 year on-site parts and labor

Warranty Details

The SBDR 15 units carry a 1 year, on-site parts and labor warranty against any flaws in materials and workmanship. This period begins on the date of the purchase and, provided the unit is used in accordance with our instructions, is in full effect for 1 year from that date. Any work performed under this warranty must be performed between the hours of 8am and 5pm Monday through Friday. Univex will not pay for overtime charges for work performed other than during normal business hours. Damage incurred in transit or from installation error, accident, alteration or misuse is not covered. Univex shall not be liable for any consequential compensatory, incidental, or special damages. Contact the Univex service department for any warranty claims.

Project

Item Number

Quantity

SBDR22



Semi-Automatic Bun Divider/Rounder

□ SBDR22(1.7oz to 6.3oz)

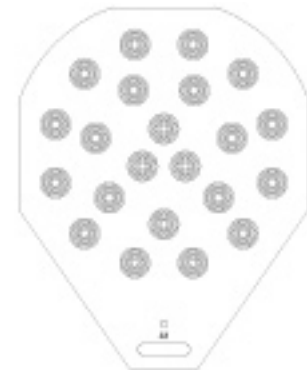
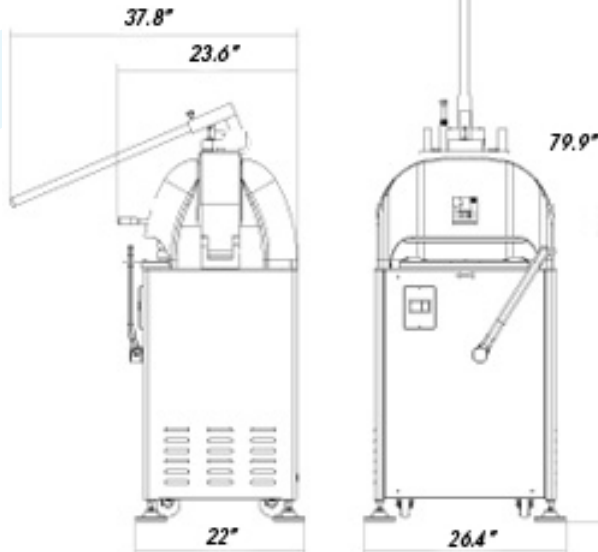
Features:

- Divides and rounds dough balls
- Produces 22 equal weight and shaped pieces at once in under 7 seconds
- Can produce 2600 pieces an hour
- Industrial Strength Machine
- Simple to use leveling feet
- Simple controls: dual start buttons for safety.
- Multiple languages
- Programable control board

Bun Divider/Rounder

Standard Accessories:

- three clear 22 division trays



Warranty:

- 1 year on-site parts and labor

Univex Corporation

Warranty Details

The SBDR 22 units carry a 1 year, on-site parts and labor warranty against any flaws in materials and workmanship. This period begins on the date of the purchase and, provided the unit is used in accordance with our instructions, is in full effect for 1 year from that date. Any work performed under this warranty must be performed between the hours of 8am and 5pm Monday through Friday. Univex will not pay for overtime charges for work performed other than during normal business hours. Damage incurred in transit or from installation error, accident, alteration or misuse is not covered. Univex shall not be liable for any consequential compensatory, incidental, or special damages. Contact the Univex service department for any warranty claims.

Project

Item Number

Quantity

SBDR30

Bun Divider/Rounder

Univex Corporation

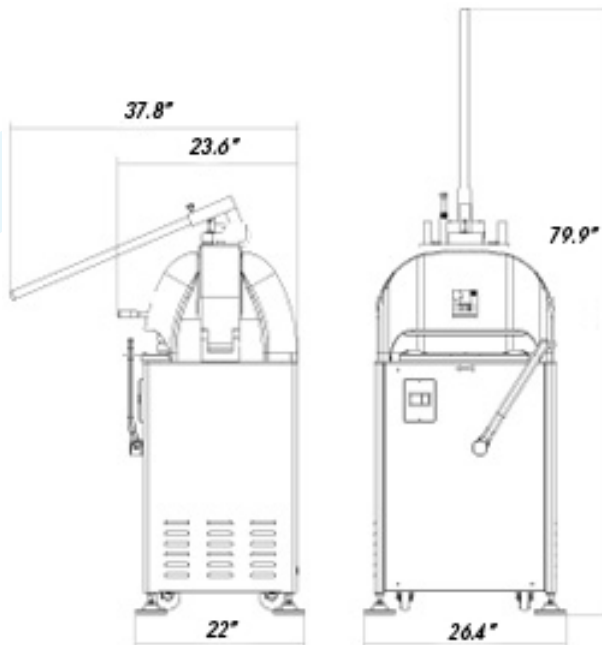


Semi-Automatic Bun Divider/Rounder

□ SBDR30(.88oz to 3.17oz)

Features:

- Divides and rounds dough balls
- Produces 30 equal weight and shaped pieces at once in under 7 seconds
- Can produce 3600 pieces an hour
- Industrial Strength Machine
- Simple to use leveling feet
- Simple controls
- Multiple languages
- Programable control board



Standard Accessories:

- three clear 30 division trays



Warranty:

- 1 year on-site parts and labor

Warranty Details

The SBDR 30 units carry a 1 year, on-site parts and labor warranty against any flaws in materials and workmanship. This period begins on the date of the purchase and, provided the unit is used in accordance with our instructions, is in full effect for 1 year from that date. Any work performed under this warranty must be performed between the hours of 8am and 5pm Monday through Friday. Univex will not pay for overtime charges for work performed other than during normal business hours. Damage incurred in transit or from installation error, accident, alteration or misuse is not covered. Univex shall not be liable for any consequential compensatory, incidental, or special damages. Contact the Univex service department for any warranty claims.

Project

Item Number

Quantity

SBDR36

Bun Divider/Rounder

Univex Corporation

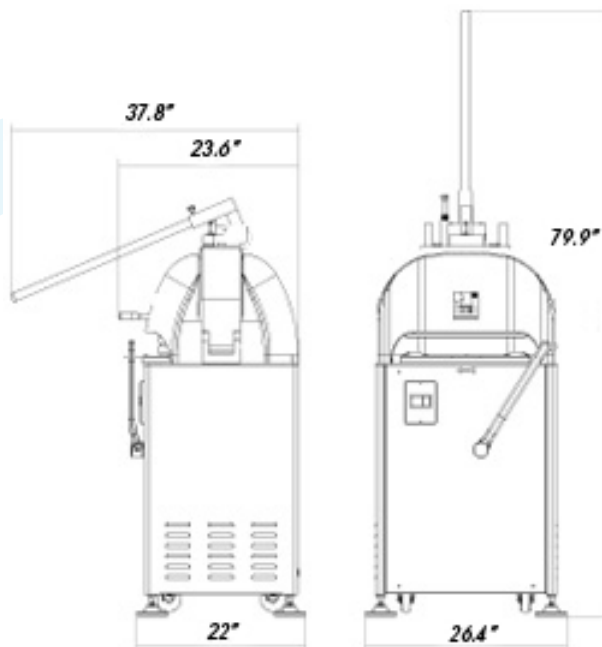


Semi-Automatic Bun Divider/Rounder

□ SBDR36(1.2oz to 3.8oz)

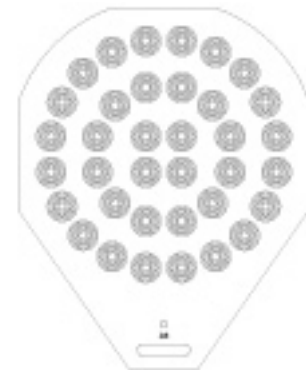
Features:

- Divides and rounds dough balls
- Produces 36 equal weight and shaped pieces at once in under 7 seconds
- Can produce 4300 pieces an hour
- Industrial strength machine
- Simple to use leveling feet
- Simple controls
- Multiple languages
- Programable control board



Standard Accessories:

- three clear 36 division trays



Warranty:

- 1 year on-site parts and labor

Warranty Details

The SBDR 36 units carry a 1 year, on-site parts and labor warranty against any flaws in materials and workmanship. This period begins on the date of the purchase and, provided the unit is used in accordance with our instructions, is in full effect for 1 year from that date. Any work performed under this warranty must be performed between the hours of 8am and 5pm Monday through Friday. Univex will not pay for overtime charges for work performed other than during normal business hours. Damage incurred in transit or from installation error, accident, alteration or misuse is not covered. Univex shall not be liable for any consequential compensatory, incidental, or special damages. Contact the Univex service department for any warranty claims.