

Project _____

Item Number _____

Quantity _____

SRM40+ Mixer



*Shown with optional PTO

40 Quart (qt.) Floor Model Mixer MADE IN THE USA

Model:

➤ SRM40+: 40 qt. FLOOR MODEL MIXER



Floor Model Mixer

Features:

- 1 hp capacitor start motor
- Variable Speed Drive: 4 fixed speeds or any speed in-between
- Change speeds without having to stop the mixer
- Two-piece, stainless steel, dishwasher safe safety guard
- Heavy-duty stainless steel bowl
- #12 Power Take Off (PTO) hub
- Interlock switches protect operator from injury if safety guard is open or bowl is lowered
- Hardened alloy gears in transmission
- Low voltage protection prevents accidental start up after power failure
- Durable NSF approved hybrid epoxy/polyester powder coat finish

Standard Accessories:

- 15 minute timer
- 40 qt. stainless steel bowl
- Dough hook
- Batter beater
- Wire whip
- Ingredient chute
- Bowl scraper

Optional Accessories:

- Bowl truck
- Cover
- Splash ring

Optional Attachments:

- VS9 vegetable slicer with adjustable knife
- VS9H vegetable shredder with plate holder and 3/16" plate (additional plate size variations, grater plates, and julienne plate available)
- ALMFC12 meat and food grinder

Warranty:

- Two year, on-site parts and labor

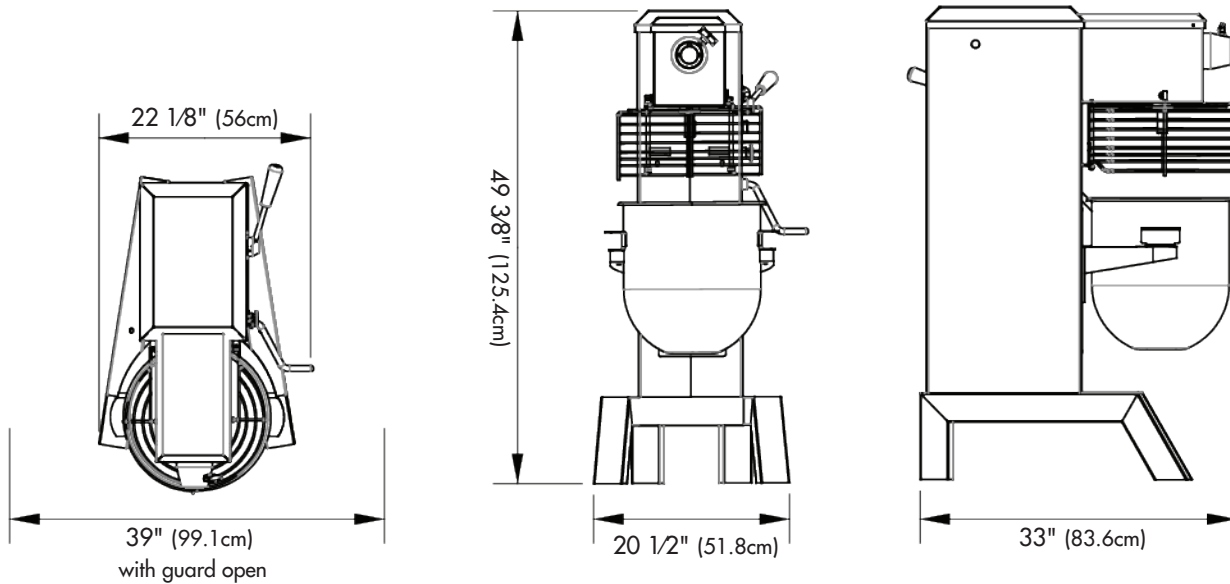
Univex Corporation



WE RAISE THE BAR. WE SET THE STANDARD.

40 Quart Floor Model Mixer

SRM40+



*Shown with optional PTO

Shipping Information

Net Weight	Shipping Weight	Overall Dimensions	Cubic Measure
350 lbs. (158.8Kg)	400 lbs. (181.4Kg)	56" (142.2cm) H x 36" (91.4cm) W x 33" (83.8cm) D	38.5ft. ³ (1.09M ³)

*The weight and dimensions of the pallet are included in the weight and dimensions above.

NEMA 5-15P

Electrical Information (60Hz)			
Attached 6 foot cord	Voltage	Phase	Amps
Standard Voltage	115	1	9.0
Optional Voltage	208-240	1	4.98-4.50
	208-240	3	3.47-3.14
	400	3	1.57

Mixer Speeds				
Speed	1	2	3	4
Beater Shaft (RPM)	99	210	352	402
PTO (RPM)	56	121	204	231

Bowl Capacity: 40 qts. (37.8 liters)

Motor: 1 hp capacitor start

Controls: Momentary contact stop & start buttons and contactor

Bowl Lift: Ergonomic hand operated crank, self locking in top and bottom position

Transmission: Featuring hardened alloy gearing and torque sensing variable speed pulleys

Power Take Off (PTO): #12 Hub



Univex Corporation
www.Univexcorp.com

3 Old Rockingham Rd
Salem, NH 03079
United States of America

TEL: (800)258-6358
INTL TEL: (603)893-6191
FAX: (800)356-5614
INTL FAX: (603)893-1249